



Compression Load Cell

# VLC-B120 / VLC-B120S

**APPLICATIONS**

- Tank weighing,
- Hopper weighing,
- Truck scale

**WIRING**

RED	Input (+)
BLACK	Input (-)
GREEN	Output (+)
WHITE	Output (-)

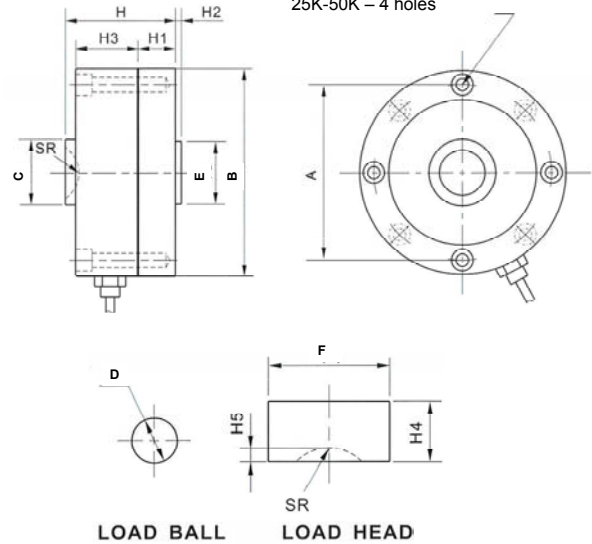
**STANDARD CAPACITY**

5K, 10K, 15K, 25K, 50K, 100Klb
150K, 200Klb

SPECIFICATIONS	
Rated Output	4mV/V ± 0.25%
Non-Linearity	0.03% F.S.
Hysteresis	0.03% F.S.
Non-repeatability	0.02% F.S.
Creep (in 1 hr)	0.03% F.S.
Zero Balance	± 1%
Temp. effect span	15 PPM/°C
Temp. effect zero	26 PPM/°C
Operating Temp. range	- 20°C ~ + 60°C
Compensated Temp. range	- 10°C ~ + 40°C
Input resistance	385 ± 15Ω
Output resistance	350 ± 5Ω
Safe overload	150% F.S.
Ultimate overload	300% F.S.
Excitation voltage	10VDC/AC
Max. Excitation voltage	15VDC/AC
Insulation resistance	≥ 2000MΩ
Environmental protection	IP67 (VLC-B120) IP68 (VLC-B120S)
Material	Alloy tool steel (VLC-B120) Stainless steel (VLC-B120S)
Cable length	50FT



200K – 16 holes  
5K-10K, 100K – 8 holes  
25K-50K – 4 holes



Capacity	DIMENSION												
	Size inch												
lb	A	B	C	D	E	F	H	H1	H2	H3	H4	H5	SR
5K-15K	3.50	4.12	1.26	0.87	1.25	1.61	2.12	0.75	0.04	1.25	0.55	0.20	0.63
25K-50K	4.00	4.75	1.53	1.50	1.25	1.69	3.06	0.94	0.04	1.62	0.75	0.31	0.87
100K	4.60	5.51	1.98	1.63	1.25	2.32	3.39	1.14	0.04	2.00	1.26	0.31	0.98
150K-200K	6.38	7.87	2.99	3.00	2.00	3.86	4.92	1.65	0.04	2.76	2.17	0.51	1.77



Virtual Measurements & Control Inc

Virtual Measurements & Control Inc

3196 Coffey Lane, Suite 604, Santa Rosa, CA95403  
Tel: (707) 573 3111 Fax: (707) 573 3113

Virtual Measurements & Control (Asia) Pte Ltd

24 Hillview Terrace, Singapore 669 235  
Tel: (65) 6762 5522 Fax: (65) 6763 6656

Dealer: