



Compression Load Cell

VLC-A123

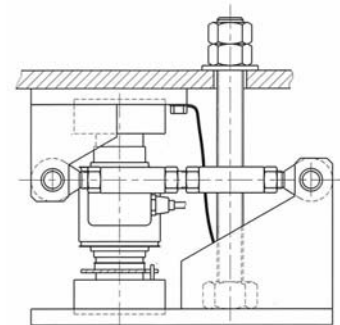
APPLICATIONS

Truck scale

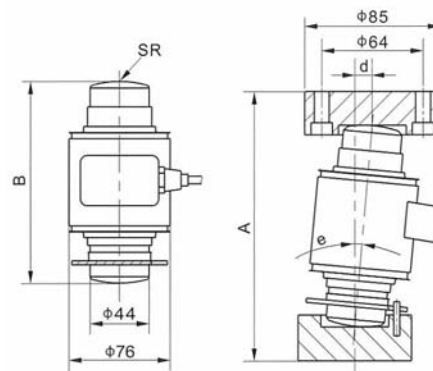
WIRING	
RED	Input (+)
BLACK	Input (-)
GREEN	Output (+)
WHITE	Output (-)
BLUE	Sense (+)
YELLOW	Sense (-)



STANDARD CAPACITY
20T, 30T, 40T, 50T



SPECIFICATIONS	
Rated Output	2mV/V ± 0.1%
Non-Linearity	0.03% F.S.
Hysteresis	0.03% F.S.
Non-repeatability	0.02% F.S.
Creep (in 1 hr)	0.03% F.S.
Zero Balance	± 1%
Temp. effect span	15 PPM/°C
Temp. effect zero	26 PPM/°C
Operating Temp. range	- 20°C ~ + 60°C
Compensated Temp. range	- 10°C ~ + 40°C
Input resistance	700 ± 15Ω
Output resistance	700 ± 5Ω
Safe overload	150% F.S.
Ultimate overload	300% F.S.
Excitation voltage	10VDC/AC
Max. Excitation voltage	30VDC/AC
Insulation resistance	≥ 2000MΩ
Environmental protection	IP68
Material (Outer S/S only)	Alloy tool steel
Cable length	50FT



DIMENSION					
Capacity	Size mm				
	t	A	B	d(max)	e(max)
20	200.0	150.0	13.0	5.0°	130.0
30	200.0	150.0	13.0	5.0°	160.0
40	200.0	150.0	13.0	5.0°	180.0
50	260.0	210.0	11.0	5.0°	220.0



Virtual Measurements & Control Inc

Virtual Measurements & Control Inc

3196 Coffey Lane, Suite 604, Santa Rosa, CA95403

Tel: (707) 573 3111 Fax: (707) 573 3113

Virtual Measurements & Control (Asia) Pte Ltd

24 Hillview Terrace, Singapore 669 235

Tel: (65) 6762 5522 Fax: (65) 6763 6656

Dealer: