



Double Ended Shear Beam Load Cell

VLC-A101

APPLICATIONS

Tank, bin, silo
Batching, blending
and mixing systems

STANDARD CAPACITY

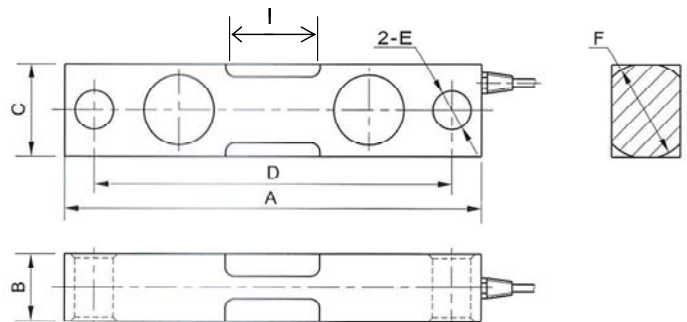
1K, 2K, 2.5K, 5K, 10Klb
15K, 20K, 25K, 50Klb, 75Klb

WIRING

RED	Input (+)
BLACK	Input (-)
GREEN	Output (+)
WHITE	Output (-)

SPECIFICATIONS

Rated Output	3mV/V ± 0.25%
Non-Linearity	0.03% F.S.
Hysteresis	0.03% F.S.
Non-repeatability	0.02% F.S.
Creep (in 1 hr)	0.03% F.S.
Zero Balance	± 1%
Temp. effect span	15 PPM/°C
Temp. effect zero	26 PPM/°C
Operating Temp. range	- 20°C ~ + 60°C
Compensated Temp. range	- 10°C ~ + 40°C
Input resistance	770 ± 15Ω
Output resistance	700 ± 5Ω
Safe overload	150% F.S.
Ultimate overload	300% F.S.
Excitation voltage	10VDC/AC
Max. Excitation voltage	20VDC/AC
Insulation resistance	≥ 2000MΩ
Environmental protection	IP67
Material	Alloy tool steel
Cable length	50FT



DIMENSION

Capacity	Size inch						
	A	B	C	D	E	F	I
1K-5K	7.5	1.25	1.25	6.25	0.5	1.25	1.12
10K-15K	8.75	1.44	1.94	7.5	0.81	2	1.62
35K	8.75	1.5	2.5	7.5	0.81	2.5	1.62
50K-75K	13.5	2.44	2.94	11.5	1.31	3	3.25



Virtual Measurements & Control Inc

Virtual Measurements & Control Inc

3196 Coffey Lane, Suite 604, Santa Rosa, CA95403

Tel: (707) 573 3111 Fax: (707) 573 3113

Virtual Measurements & Control (Asia) Pte Ltd

24 Hillview Terrace, Singapore 669 235

Tel: (65) 6762 5522 Fax: (65) 6763 6656

Dealer: