



Virtual  
Measurements  
& Control

If you can conceive it, we can measure and control it

## VC-200 series Digital Weight Indicator

### Standard Features

- 10 Pre-defined Tare value (VC-202 / VC-203)
- Selectable kg / lb
- Programmable as Main Indicator & Remote Display
- Programmable custom print format
- Configurable for Animal Weighing Application
- Easy Panel Mount Design

### Option

- Re-chargeable battery



VC-201



VC-202

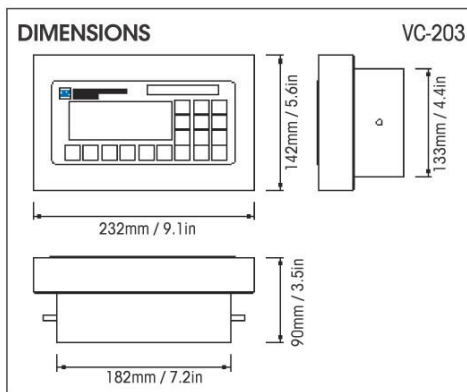
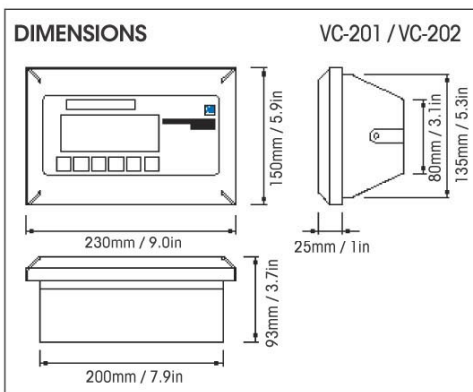


VC-203



## SPECIFICATION

Internal Resolution	1,000,000 counts at 3mV/V
Display Resolution	Selectable (1 part in 10,000 for NTEP approved)
Input Sensitivity	1 $\mu$ V/graduation typical, 0.4 $\mu$ V/graduation minimum
Display Increments	Selectable x1, x2, x5, x10, x20, x50, x100
Decimal Point Location	Selectable 0 ~ 4
Display	7 Digits 7-Segment LED display, 14.2mm (0.56") high, with annunciators (7 LED lamps) for function select, Stable, Center Zero, Net, Print, kg, lb, and Low Battery display
Keyboard	<b>VC-201:</b> 6 button keypad with tactile keys (includes 1 button for Power On/Off) <b>VC-202/ VC-203:</b> 18 button keypad with tactile keys (includes 1 button for Power On/Off)
Audio Alarm	Tone for key entry confirmation and low battery alarm
A/D Conversion Rate	7.5 updates per second
Load Cell Excitation Voltage	9.7VDC or 5VDC selectable. Drive up to six 350 $\Omega$ load cells
Analog Input Range	0.2mV/V to 3.0 mV/V maximum
Non-Linearity	0.01% of full scale or less
Over Capacity	Display "CAP OL" when exceeds the full scale capacity
Tare	<b>VC-201:</b> Full capacity, push button tare <b>VC-202/ VC-203:</b> Full capacity, push button tare, numeric key tare. Register and recall 10 pre-defined tare values
Auto Zero Tracking	Selectable to 3.0 d by 0.5 d step
Motion Window	Key-in data 0..255 (1 = 0.5 d)
Calibration Method	Software – Menu driven prompting
Units of Measure	Selectable kg/lb/g/oz, up to 2 units displayable
RFI/EMI Protection	All signal and excitation lines filtered to -65db min. @ 500MHz
Filtering	Selectable digital filter
Serial RS232C Data Output	COM Port 1. Full Duplex or Bi-directional COM Port 2. Simplex or Unidirectional (output only) Selectable baud rates (1200,2400,4800,9600,19200), manual or auto print, continuous data out or bi-directional communication
Remote Display	Programmable as main indicator and remote display
Custom Print Format	Programmable up to 119 characters for custom print format and up to 23 characters for continuous print format
Set Points	Selectable up to 2 set points for low and high limit settings
Power	100/115VAC or 220/230VAC, 50-60Hz, 6VA with built-in Charger for 12 VDC 2-2.3AH Rechargeable Sealed Lead Acid Battery
Current Consumption	100mA + 30mA per 350 $\Omega$ load cell
Operating Temperature	-10°C to +40°C
Relative Humidity	Maximum 90% RH, Non-condensing
Shipping Weight	<b>VC-201 / VC-202:</b> 2.7lb (1.2kg) - standard / 5.1lb (2.3kg) - with optional battery <b>VC-203:</b> 4.6lb (2.1kg) - standard / 7.1lb (3.2kg) - with optional battery
Enclosure	<b>VC-201 / VC-202:</b> ABS Plastic Casing <b>VC-203:</b> Stainless Steel Casing
Warranty	One Year Limited Warranty



**USA**  
**Virtual Measurements & Control Inc.**  
 1040A N. DUTTON AVE, SANTA ROSA, CA 95401  
 PH: (707) 573 3111    FAX: (707) 573 3113  
<http://www.virtualmc.com>

**ASIA**  
**Virtual Measurements & Control (Asia) Pte. Ltd.**  
 24 HILLVIEW TERRACE, SINGAPORE 669235  
 PH: (65) 6762 5522    FAX: (65) 6763 6656  
 email: [vmcasia@singnet.com.sg](mailto:vmcasia@singnet.com.sg)

Dealer: